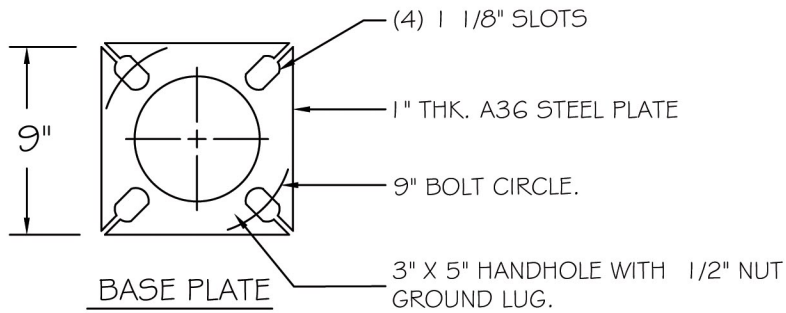


SPECIFICATION GUIDE	
LAMP POST STYLE:	ALAMEDA 20
HEIGHTS:	UP TO 20 FT.
CASTING MATERIAL:	A356 CAST ALUMINUM
OPTIONAL MATERIAL:	A48-83 CL. 30 CAST GRAY IRON
OPTIONAL MATERIAL:	A395 GR. 60 CAST DUCTILE IRON
POLE SHAFT OPTIONS:	#1 - 2 -5 -6 -7
MATERIAL:	1 1 GA. ASTM A595 STEEL
FIXTURE STYLE:	SPECIFIED BY OWNER
ANCHOR BOLTS:	$\frac{3}{4}$ " X 24" A307 HDG
BOLT CIRCLE:	8 $\frac{1}{2}$ " TO 9 $\frac{1}{2}$ "
FINISH:	SPECIFY
SPECIAL INSTRUCTIONS:	



32"

20"