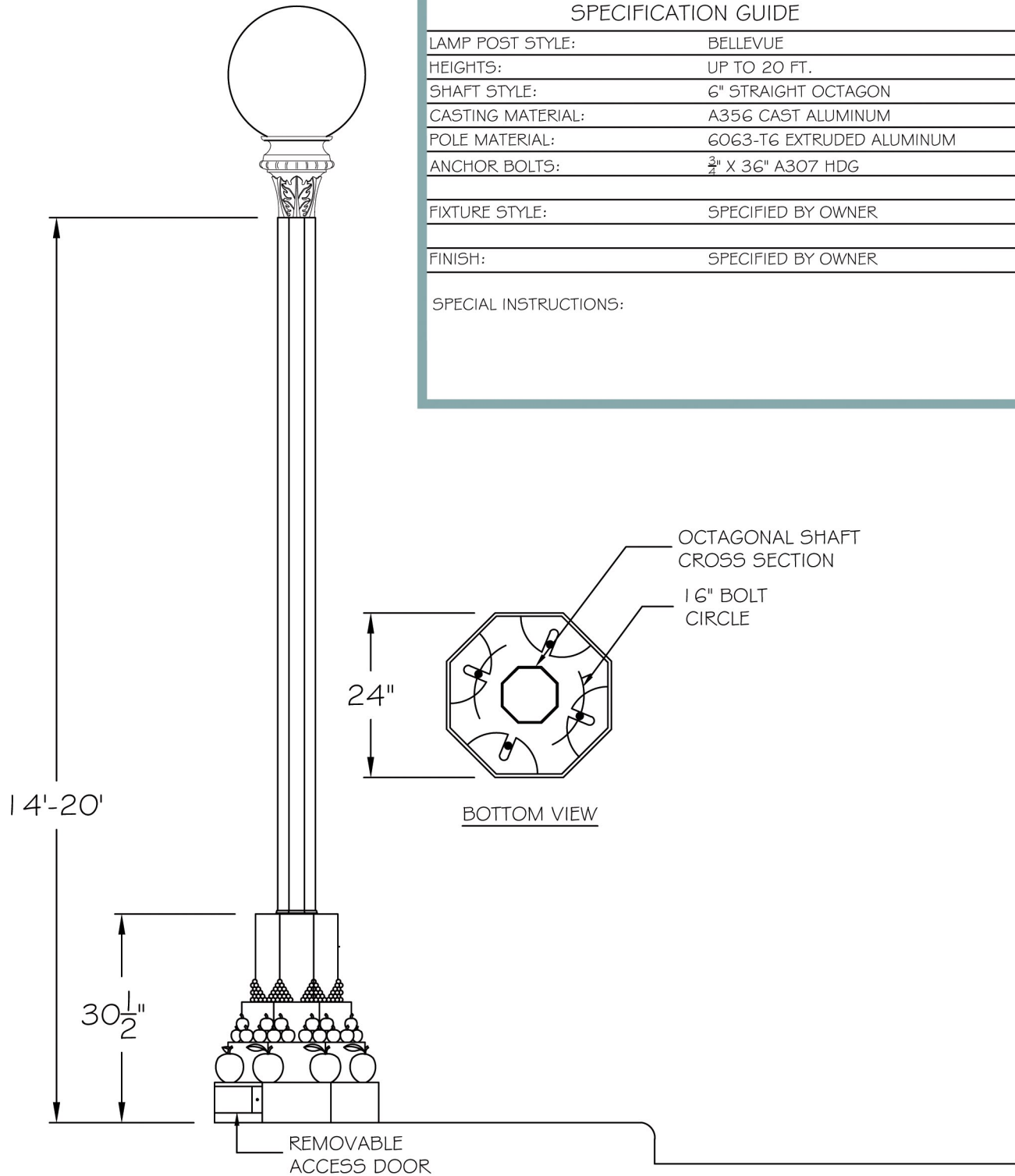


Decorative Specialty Poles Bellevue



SHAFT:

Shaft to be constructed of continuous 6063 aluminum alloy combined with a sand-sprayed and anodized powder coating.

*Optional luminaires mounting available.

*Optional anchor base covers or nut covers available.