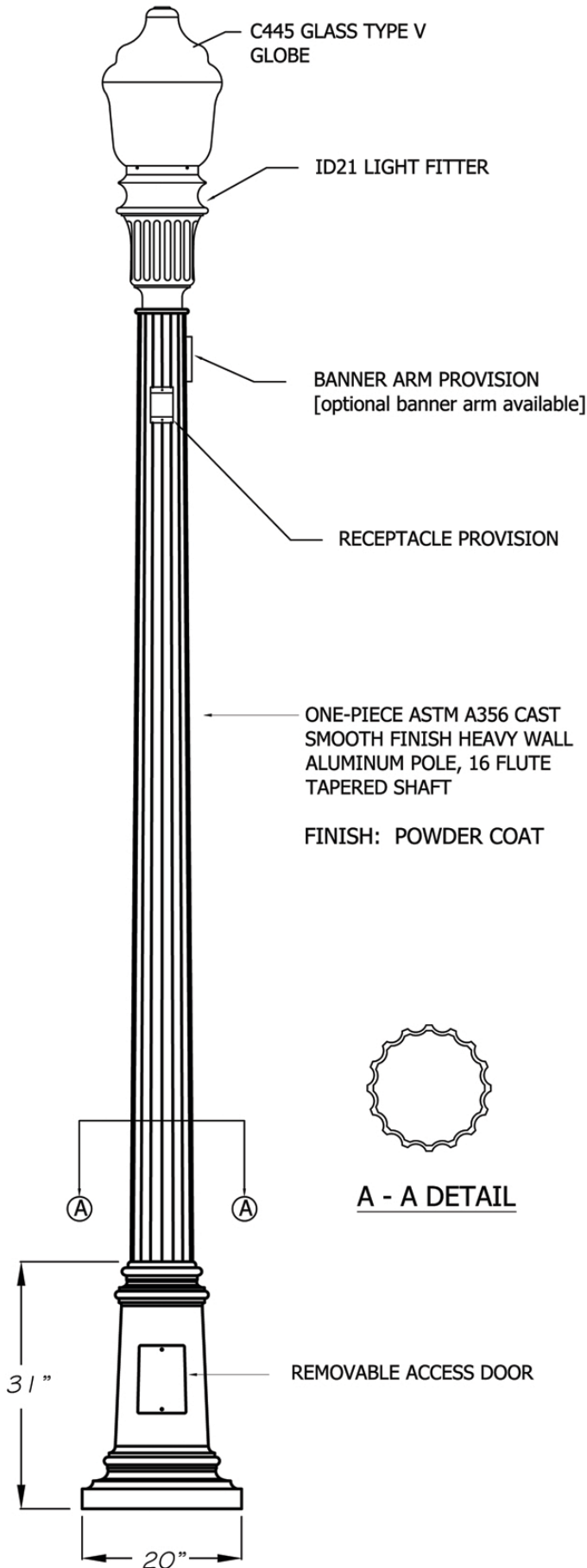


Decorative Lamp Posts Boisian



SPECIFICATION GUIDE	
LAMP POST STYLE:	BOISEIAN SERIES
HEIGHTS:	12'-6"
ONE PIECE SHAFT STYLE:	TAPERED FLUTED COLUMN
	A356 CAST ALUMINUM
CASTING MATERIAL:	A48-83 CLASS 30 GRAY IRON
OPTIONAL MATERIAL:	A396 CLASS 60 DUCTILE IRON
ANCHOR BOLTS:	3/4" X 24" A307 HDG
FIXTURE STYLE:	SPECIFIED BY OWNER
FINISH:	SPECIFIED BY OWNER
SPECIAL INSTRUCTIONS:	

