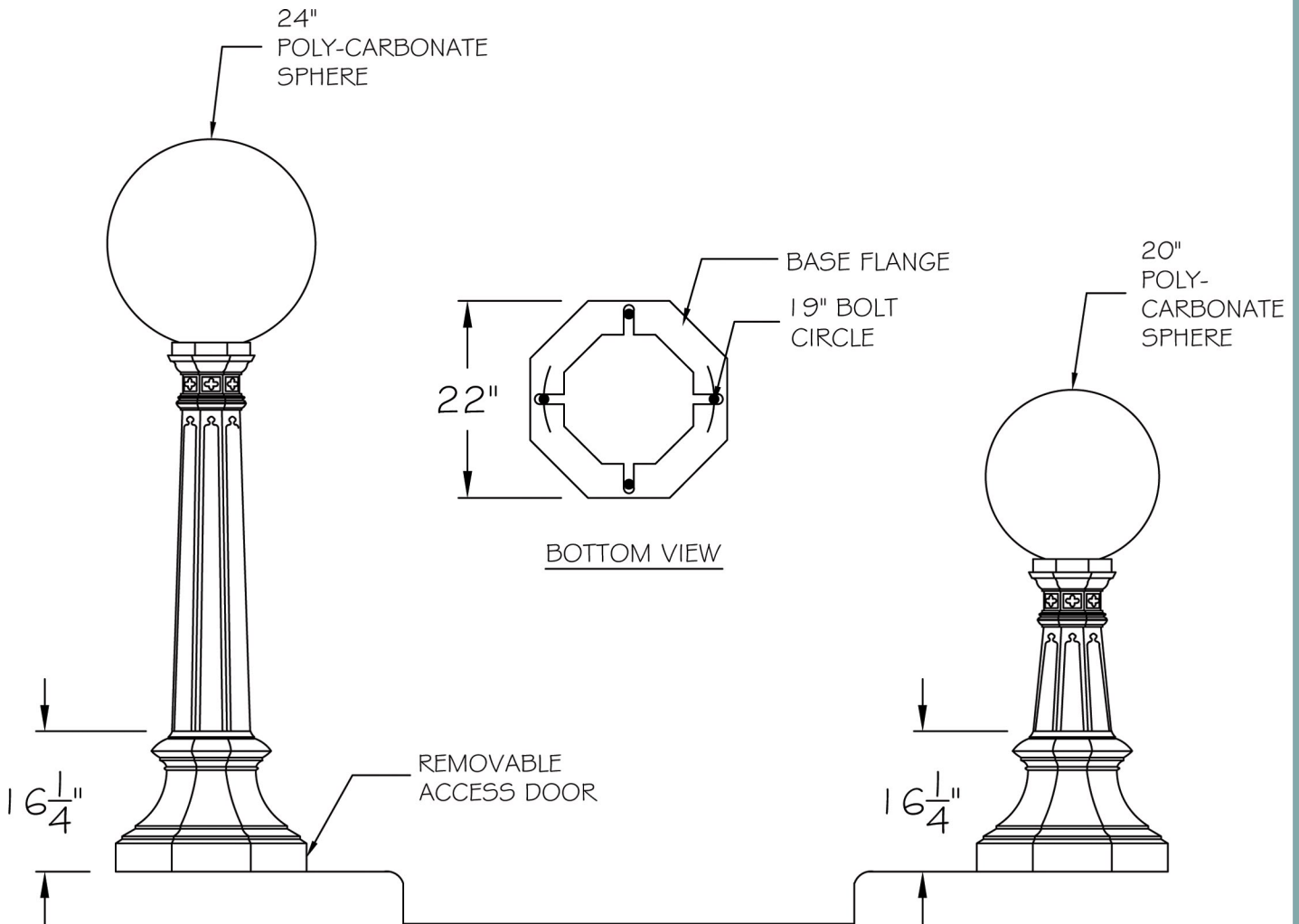


SPECIFICATION GUIDE	
LAMP POST STYLE:	RENTON
HEIGHTS:	3' & 5'6"
ONE PIECE SHAFT STYLE:	OCTAGON
CASTING MATERIAL:	A356 CAST ALUMINUM
OPTIONAL MATERIAL:	A48-83 CL. 30 CAST GRAY IRON
OPTIONAL MATERIAL:	A395 GR. 60 CAST DUCTILE IRON
ANCHOR BOLTS:	$\frac{3}{4}$ " X 24" A307 HDG
FIXTURE STYLE:	SPECIFIED BY OWNER
FINISH:	SPECIFIED BY OWNER
SPECIAL INSTRUCTIONS:	



**SHAFT:**

Shaft to be constructed of continuous 6063 aluminum alloy combined with a sand-sprayed and anodized powder coating.

\*Optional luminaires mounting available.

\*Optional anchor base covers or nut covers available.