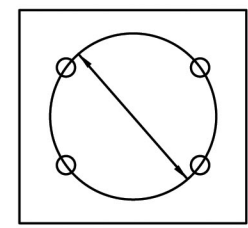
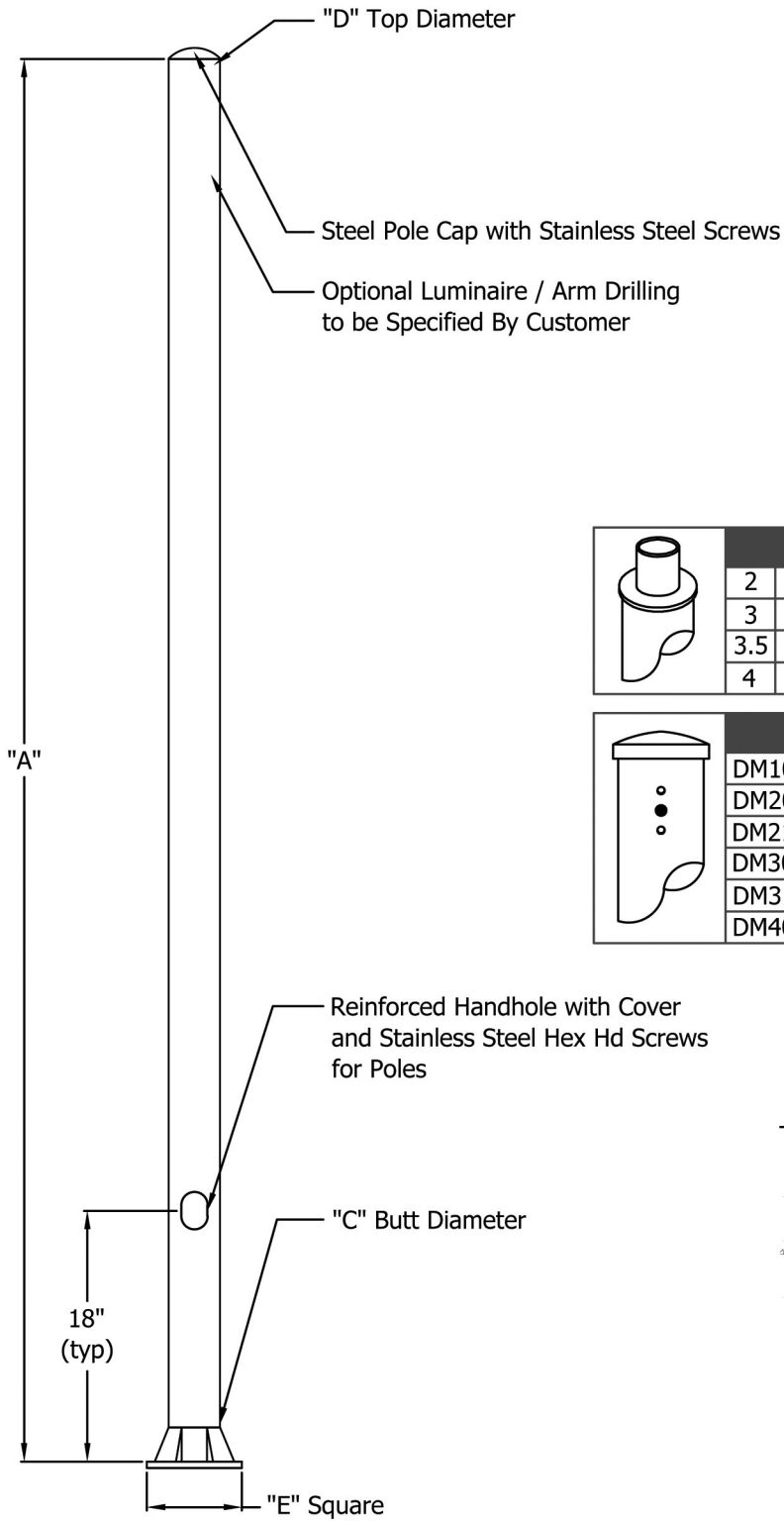


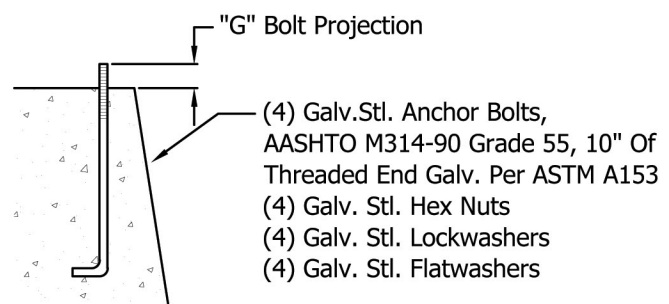
Round Straight Steel Pole



"F" Bolt Circle Diameter

Tenon Mount	
2	2 3/8" OD x 3" or 4" Tenon
3	2 7/8" OD x 3" or 4" Tenon
3.5	3 1/2" OD x 4" to 6" Tenon
4	4" OD x 4" to 6" Tenon

Drill Mount	
DM10	1 Luminaire
DM2090	2 Luminaires at 90 Degrees
DM2180	2 Luminaires at 180 Degrees
DM3090	3 Luminaires at 90 Degrees
DM3120	3 Luminaires at 120 Degrees
DM4090	4 Luminaires at 90 Degrees



SHAFT:

Pole shaft fabricated from standard 11 gauge steel. Material is welded grade hot rolled commercial quality carbon steel with a minimum yield strength of 55,000 psi. Each section has a full length longitudinal resistance weld and is uniformly circular in cross-section.

- *Optional luminaires mounting available.
- *Optional anchor base covers or nut covers available.

"A" Mtg. Height (ft.)	"C" Diameter (in.)	"F" Bolt Circle (in.)	Anchor Bolt Size (in.)	Maximum EPA			Catalog Number
				80	90	100	
10	4.0	8.0	.75 x 17 x 3	31.0	24.0	19.5	RSS-10-4
12	4.0	8.0	.75 x 17 x 3	28.9	23.4	19.2	RSS-12-4
14	4.0	8.0	.75 x 17 x 3	23.6	19.1	15.6	RSS-14-4
15	4.0	8.0	.75 x 17 x 3	18.1	14.5	11.8	RSS-15-4
15	4.5	8.0	.75 x 17 x 3	26.5	20.5	16.3	RSS-15-45
16	4.0	8.0	.75 x 17 x 3	16.5	13.2	10.6	RSS-16-4
18	4.0	8.0	.75 x 17 x 3	13.7	10.8	8.6	RSS-18-4
20	4.0	8.0	.75 x 17 x 3	11.4	8.9	6.9	RSS-20-4
20	4.5	8.0	.75 x 30 x 3	15.5	12.2	9.6	RSS-20-45
20	5.0	11.0	1 x 36 x 4	20.3	16.0	12.7	RSS-20-5
22	4.5	8.0	.75 x 30 x 3	13.0	10.1	7.8	RSS-22-45
22	5.0	11.0	1 x 36 x 4	17.3	13.5	10.5	RSS-22-5
25	4.0	8.0	.75 x 17 x 3	7.0	5.1	3.7	RSS-25-4
25	4.5	8.0	.75 x 30 x 3	10.0	7.5	5.5	RSS-25-45
25	5.0	11.0	1 x 36 x 4	19.4	5.1	11.8	RSS-25-5
26	4.5	8.0	.75 x 30 x 3	9.1	6.7	4.9	RSS-26-45
26	5.0	11.0	1 x 36 x 4	12.4	9.3	7.0	RSS-26-5
26	5.0	11.0	1 x 36 x 4	18.0	13.9	10.8	RSS-26-5*
28	4.5	11.0	.75 x 30 x 3	7.4	5.3	3.6	RSS-28-45
28	5.0	11.0	1 x 36 x 4	10.4	7.6	5.5	RSS-28-5
28	5.0	11.0	1 x 36 x 4	15.4	11.7	8.9	RSS-28-5*
30	4.5	11.0	.75 x 30 x 3	5.3	3.5	2.2	RSS-30-45
30	5.0	11.0	1 x 36 x 4	7.6	5.3	3.6	RSS-30-5
30	5.0	11.0	1 x 36 x 4	11.0	8.5	6.2	RSS-30-5*
35	5.0	11.0	1 x 36 x 4	7.0	4.6	2.8	RSS-35-5*

POWDER COATED FINISHES:

WP = White SP=Sandstone
 BP = Black BG=Burgundy
 BR = Med Bronze HG=Hunter Green
 DG = Dark Green RD=Bright Red
 GP = Gray SB=Steel Blue
 NA= Natural Aluminum DB=Dark Bronze

Mtg. Height (ft.)	Handhole Size (in.)
10-18	2 x 4
20-35	3 x 5

Custom finishes available on request.

SPECIFY MOUNTING:

Tenon Mount: Specify tenon diameter and length.
 Side Mounting: Specify luminaire type, quantity and orientation.
 Luminaire drilling must be supplied at time of order.

NOTES:

All poles are constructed from 11 gauge steel (.1196").
 *Poles constructed from 7 gauge steel (0.1793").

Effective Projected Area (EPA) is calculated using the wind velocity (mph) shown in addition to a 30% gust factor. The range of EPAs are calculated assuming a minimum of 25 lbs. to a maximum of 100 lbs. per square foot. Maximum EPA is based on the luminaire weight given. Note that increasing the luminaire weight will decrease the maximum EPA.