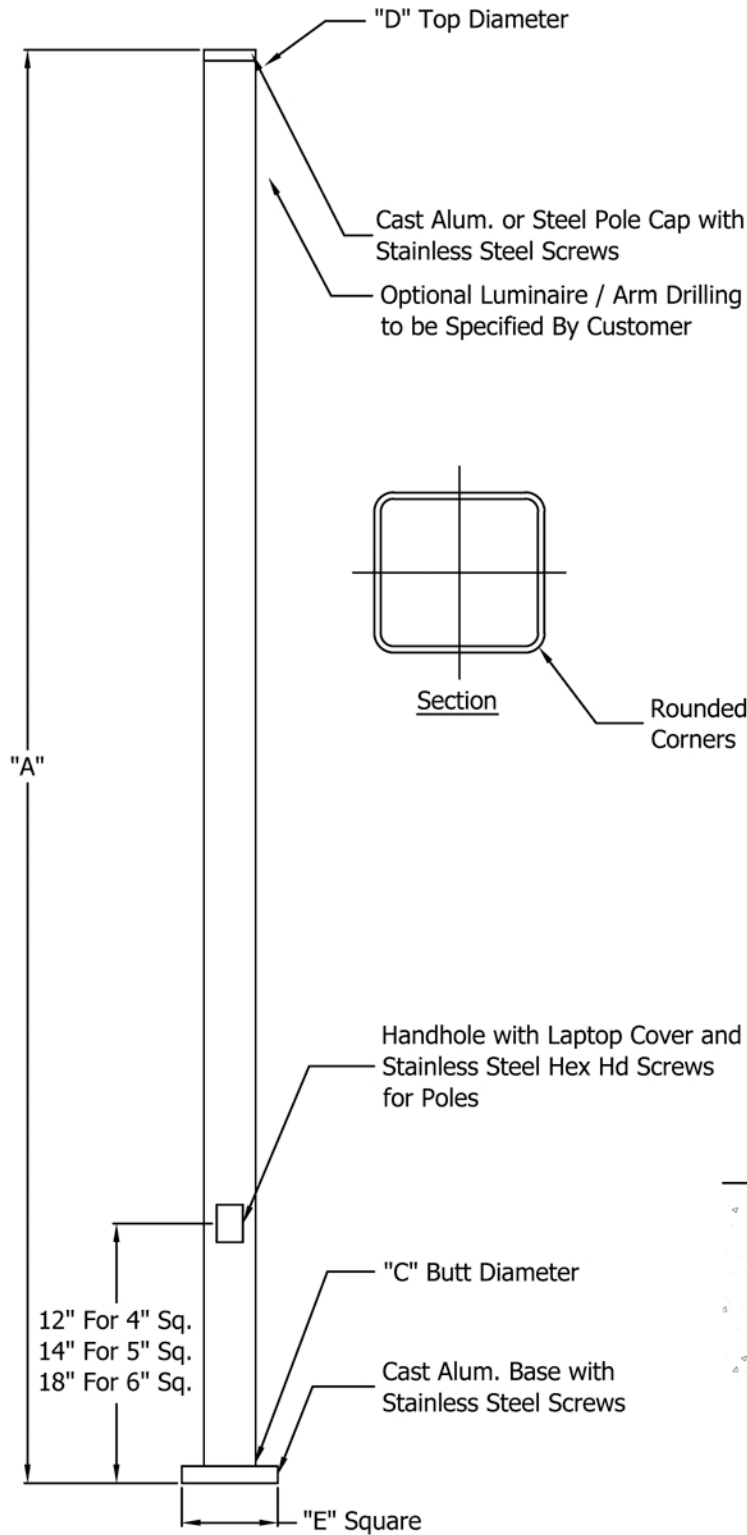
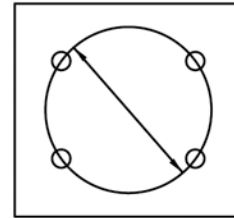


Square Straight Fiberglass Pole

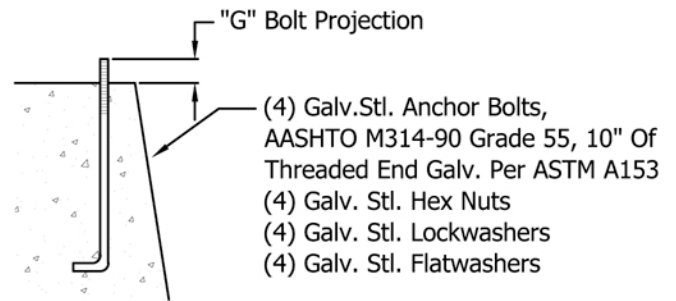


Tenon Mount	
2	2 3/8" OD x 3" or 4" Tenon
3	2 7/8" OD x 3" or 4" Tenon
3.5	3 1/2" OD x 4" to 6" Tenon
4	4" OD x 4" to 6" Tenon

Drill Mount	
DM10	1 Luminaire
DM2090	2 Luminaires at 90 Degrees
DM2180	2 Luminaires at 180 Degrees
DM3090	3 Luminaires at 90 Degrees
DM3120	3 Luminaires at 120 Degrees
DM4090	4 Luminaires at 90 Degrees



"F" Bolt Circle Diameter



SHAFT:

Shaft to be constructed of continuous fiberglass filament combined with a polyurethane resin through an advanced Pultrusion moulding process to produce a smooth surface finish and uniform wall thickness.

*Optional luminaires mounting available.

*Optional anchor base covers or nut covers available.

"A" Mtg. Height (ft.)	"C" Butt Diameter (in.)	Maximum EPA						Catalog Number
		100	110	120	130	140	150	
10	3.5	7.3	5.8	4.8	4.0	3.4	2.9	SSFG-10-35
12	3.5	7.2	5.7	4.7	3.9	3.3	2.8	SSFG-12-35
14	3.5	7.0	5.6	4.6	3.8	3.2	2.8	SSFG-14-35
16	3.5	6.2	5.0	4.1	3.4	2.8	2.4	SSFG-16-35
18	3.5	6.2	5.0	4.1	3.4	3.2	2.8	SSFG-18-35
20	3.5	5.8	4.6	3.7	3.0	2.5	2.1	SSFG-20-35
20	4.5	6.7	5.4	4.4	3.6	3.0	2.5	SSFG-20-45
20	5.0	13.7	11.1	9.2	7.8	6.6	5.7	SSFG-20-50
22	3.5	5.5	4.4	3.5	2.8	2.3	1.9	SSFG-22-35
22	4.5	6.5	5.2	4.2	3.4	2.9	2.4	SSFG-22-45
22	5.0	13.6	11.0	9.2	7.7	6.5	5.6	SSFG-22-50
24	3.5	4.9	3.9	3.1	2.5	2.0	1.7	SSFG-24-35
24	4.5	6.2	4.9	3.9	3.1	2.9	2.4	SSFG-24-45
24	5.0	13.4	10.9	9.0	7.6	6.4	5.4	SSFG-24-50
26	3.5	4.7	3.6	2.9	2.3	1.8	1.5	SSFG-26-35
26	4.5	5.7	4.5	3.6	2.9	2.4	1.9	SSFG-26-45
26	5.0	13.3	10.8	8.9	7.4	6.3	5.2	SSFG-26-50
28	3.5	4.4	3.4	2.7	2.1	1.7	1.3	SSFG-28-35
28	4.5	5.4	4.2	3.4	2.7	2.2	1.7	SSFG-28-45
28	5.0	12.3	10.0	8.2	6.9	5.8	4.7	SSFG-28-50
30	3.5	4.2	3.2	2.4	1.9	1.5	1.2	SSFG-30-35
30	4.5	5.0	4.0	3.2	2.5	2.1	1.4	SSFG-30-45
30	5.0	12.2	9.9	8.1	6.8	5.7	4.7	SSFG-30-50

PAINT FINISHES:

WP = White
 BP = Black
 BR = Med Bronze
 DG = Dark Green
 GP = Gray
 DB = Dark Bronze
 SP = Sandstone
 BG = Burgundy
 HG = Hunter Green
 RD = Bright Red
 SB = Steel Blue

Custom finishes available on request.

"A"	"D"	"E"	"F"	
Shaft Length (ft.)	Top Diameter (in.)	Base Square (in.)	Bolt Circle (in.)	Anchor Bolts (in.)
20'-26'	3.5	11.5	12.0	.75 x 21 x 3
28'-30'	3.5	13.5	14.0	1 x 36 x 4
20'-24'	4.5-5.0	11.5	12.0	.75 x 21 x 3
26'-30'	4.5-5.0	13.5	14.0	1 x 36 x 4

SPECIFY MOUNTING:

Tenon Mount: Specify tenon diameter and length.
 Side Mounting: Specify luminaire type, quantity and orientation.
 Luminaire drilling must be supplied at time of order.

NOTES:

Poles are designed with a minimum safety factor of 2:1 and have a maximum deflection of 10% under full wind loading conditions. Enlarged square butt-ends to provide maximum rotation resistance.

Effective Projected Area (EPA) is calculated using the wind velocity (mph) shown in addition to a 30% gust factor. The range of EPAs are calculated assuming a minimum of 25 lbs. to a maximum of 100 lbs. per square foot. Maximum EPA is based on the luminaire weight given. Note that increasing the luminaire weight will decrease the maximum EPA.